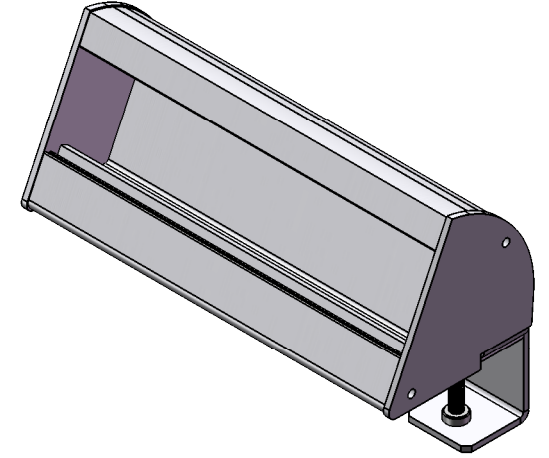
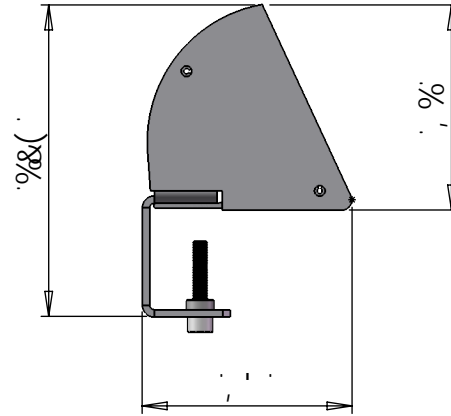
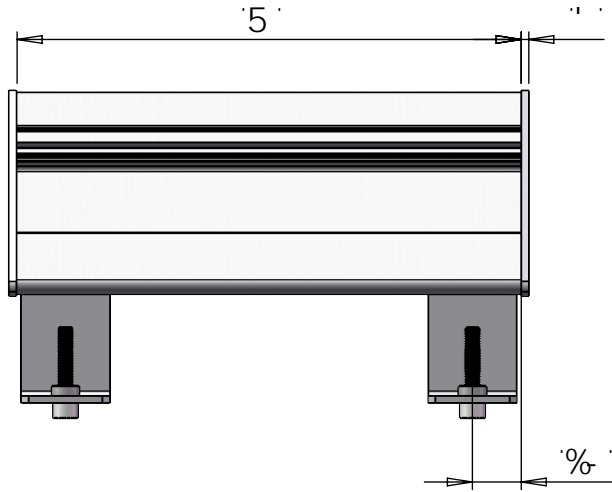


6HG



6c]hYfYb'gU]Y.

7 cfdgYb'dfcZf'Ui'UbcX]gf'ž'dY]bhbc]fci'V'UbW
 7]dU[Y'X]fYWhf() Ł
 : Ugei YgYb'Ui
 Gc fhY'XY'WUV'Ygg f'fUff], fYžUI I' &YI hfa]hf g
 :]I Uhcb'dUfgWUHMžj]gci'Vf]XYg
 ffYdfgYbhf'Uj YWVf]XYg'66HG&Ł

%+_ [#a`

7 c h Y ' 5	6HG&	6HG	6HG(6HG)	6HG*
	- \$	%)	% \$	&&)	&+\$